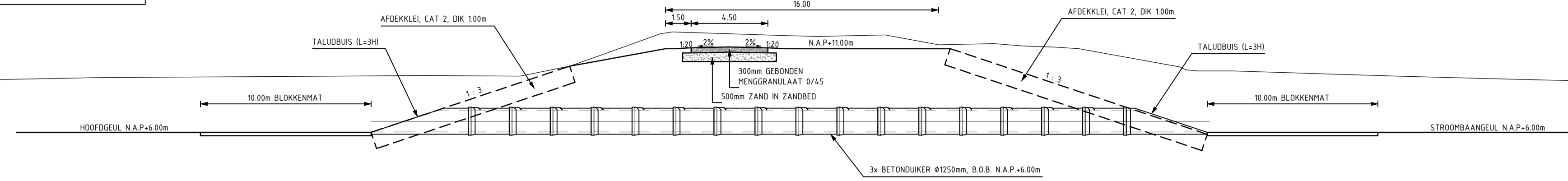


1.1.6.1 – DOORSTROOMVOORZIENING MIDDENONTSLUITING

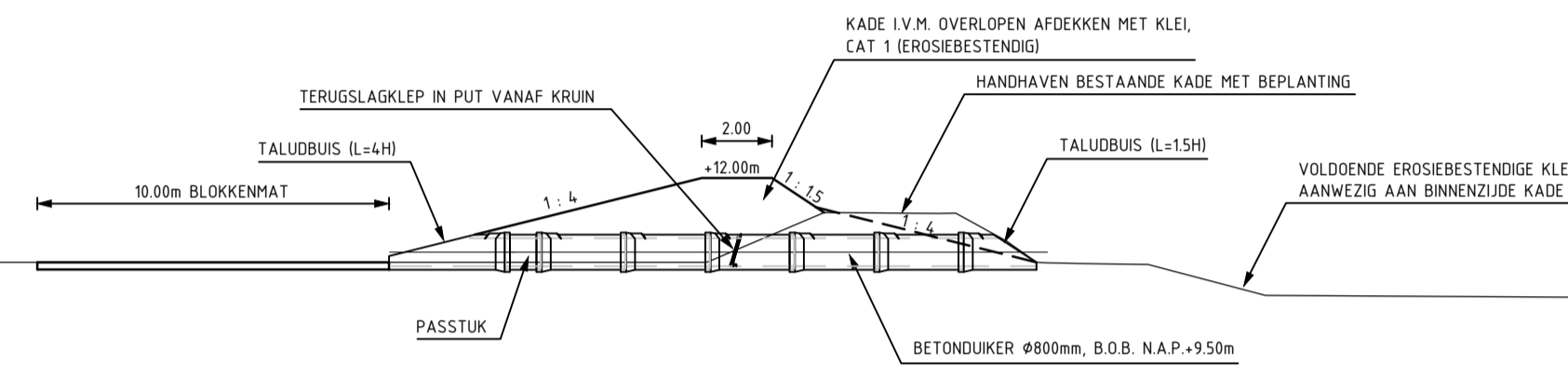


1.1.6.1-DP02

N.A.P.+0.00m SCHAAL 1:200

| HOOGTE (m+N.A.P.) | AFSTAND (m.) |
|-------------------|--------------|
| 9.02              | 54.14        |
| 9.08              | 56.02        |
| 9.21              | 63.28        |
| 9.28              | 74.71        |
| 9.33              | 82.11        |
| 9.30              | 87.52        |
| 9.08              | 90.89        |
| 9.52              | 92.68        |
| 9.20              | 95.29        |
| 9.20              | 95.29        |
| 9.20              | 95.29        |
| 9.20              | 95.29        |
| 11.67             | 103.67       |
| 11.62             | 105.29       |
| 11.70             | 109.33       |
| 11.13             | 110.45       |
| 11.20             | 115.70       |
| 11.06             | 117.39       |
| 10.99             | 119.24       |
| 10.90             | 120.08       |
| 9.60              | 126.24       |
| 9.60              | 127.62       |
| 9.60              | 129.68       |
| 9.29              | 139.29       |
| 9.15              | 144.39       |
| 9.06              | 148.07       |
| 8.99              | 151.41       |
| 8.74              | 173.18       |
| 9.26              | 179.22       |

1.1.6.2 – REGELWERK OUDE WAAL

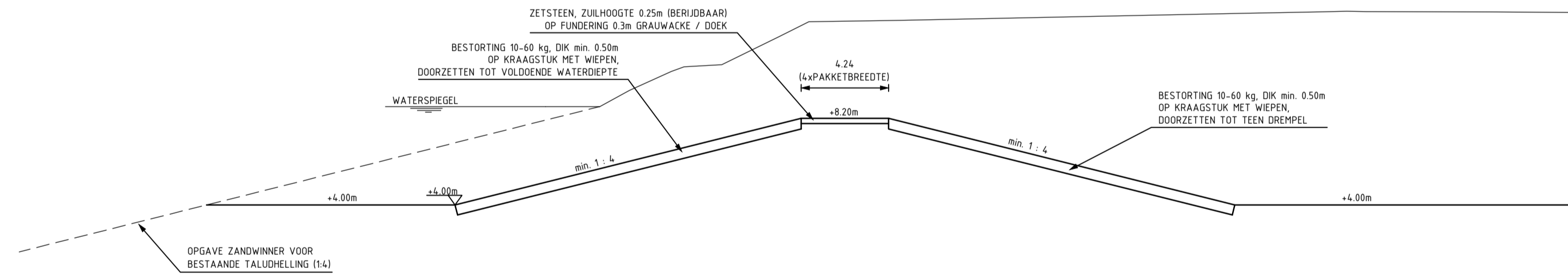


1.1.6.2-DP01

N.A.P.+0.00m SCHAAL 1:200

| HOOGTE (m+N.A.P.) | AFSTAND (m.) |
|-------------------|--------------|
| 9.60              | 0.00         |
| 9.60              | 2.37         |
| 9.60              | 5.09         |
| 9.60              | 9.71         |
| 9.60              | 38.33        |
| 9.60              | 41.08        |
| 11.01             | 44.50        |
| 10.99             | 47.77        |
| 10.99             | 48.24        |
| 10.20             | 49.69        |
| 9.88              | 50.93        |
| 9.55              | 52.79        |
| 9.54              | 53.70        |
| 8.66              | 57.02        |
| 8.56              | 74.50        |
| 8.32              | 82.98        |
| 8.29              | 85.01        |
| 8.68              | 102.25       |
| 8.68              | 104.29       |
| 8.68              | 106.33       |
| 11.16             | 118.39       |

1.1.6.3 – DREMPEL



1.1.6.3-DP01

N.A.P.+0.00m SCHAAL 1:200

| HOOGTE (m+N.A.P.) | AFSTAND (m.) |
|-------------------|--------------|
| 8.77              | 8.22         |
| 8.77              | 2.03         |
| 8.56              | 4.07         |
| 8.2               | 6.05         |
| 8.09              | 6.33         |
| 13.29             | 33.76        |
| 13.36             | 37.38        |
| 13.39             | 38.88        |
| 13.38             | 39.83        |
| 13.35             | 46.15        |
| 13.34             | 49.94        |
| 13.23             | 54.39        |
| 13.14             | 57.48        |
| 12.89             | 62.98        |
| 12.85             | 64.40        |
| 12.85             | 64.40        |
| 12.81             | 65.79        |
| 12.78             | 66.47        |
| 12.23             | 67.57        |
| 12.52             | 77.24        |
| 12.56             | 79.74        |
| 12.51             | 76.93        |
| 12.44             | 81.28        |
| 12.35             | 89.88        |
| 12.25             | 92.41        |
| 12.24             | 95.86        |

| Rev | Omschrijving             | Datum rev. | Get. | Gez. | Acc. |
|-----|--------------------------|------------|------|------|------|
| 4   | KADE REGELWERK OUDE WAAL | 02-10-2012 | DE   |      |      |
| 3   | DIVERSE AANPASSINGEN DO  | 25-09-2012 | DE   |      |      |
| 2   | TALUDVERDEDIGING         | 20-06-2012 | DE   |      |      |
| 1   | DUIKER                   | 01-03-2012 | DE   |      |      |
| Rev | Omschrijving             | Datum rev. | Get. | Gez. | Acc. |

MATEN IN METERS, TENZU ANDERS AANGEGEVEN  
MATERIALEN IN MILLIMETERS

**CONCEPT**

Ondraaggever  
**COMBINATIE BOSKALIS / VAN DE WETERING**  
Project  
**RUIMTE VOOR DE RIVIER; HERINRICHTING MILLINGERWAARD**  
Onderdeel  
**ONTWERP DWARSPROFIELEN KUNSTWERKEN 1.1.6.1, 1.1.6.2, 1.1.6.3**

| Tekeningnummer | Rev.          | Bestandsnaam | Formaat           | Schaal | Blad | Aantal |
|----------------|---------------|--------------|-------------------|--------|------|--------|
| 44A61784       | 4             | 44A61736.dwg | A1                | 1:200  |      |        |
| Kartoor        | Projectnummer | Bestelnummer | Datum van uitgave | Get.   | Gez. | Acc.   |
| ARNHEM         | 317369        |              | 30-03-2012        | DE     |      |        |



www.grontmij.nl

© Grontmij Nederland B.V. Alle rechten voorbehouden